

MODELS: LG⁺ 5310, 3399, 5220, 3220, 3100, 1129, 1119 ; μ G⁺ 1119, 1129, 3100, 5110

SMART

- Accuracy class 1.0 IEC 61036 / CBIP 88 (0.5 option)
- True RMS measurement
- Simultaneous sampling of Volts & Amps
- Energy display programmable-counter based or resolution based. Energy resetting at 999999 K * Multiplication factor
- Positive energy accumulation even with CT polarity reversal, reverse lock programmable
- User programmable password protection
- Auto scrolling
- Auto-scaling of Kilo, Mega, Giga and Decimal point
- Low PT, CT Burden
- Front LED pulse 3000 imp/kWh



Optional DIN rail mounting type module for Direct current measurement up to 40 Amps

INTELLIGENT

- Clearance and Creepage distance meets Safety Standard
- Finger Touch Proof Terminals to Voltage and Current connections
- Parameter name & value displaying using 7 seg LEDs
- 6 digits display on each row for better readability
- Available in 3 row, 2 row and 1 row
- Field programmable Star (Wye) or Delta or Single phase configuration
- Programmable PT, CT ratio upto 2000 MVA

OPTIONAL FEATURES

- Communication with PCs, PLCs, DCS through optional optically isolated RS 485/ RS 232 serial Interface
- Pulse output - Programmable pulse width of 50 mS to 500 mS (for LG Plus only)

MASTER PACK

LG⁺ 5310

3 Row Display - 96x96x50mm

- Displays more than 25 parameters Basic, Power and Energy
- Quick and Easy Navigation and Programming
- 'OLD' register to store the previously cleared Energy value

Displays basic (VLL, VLN, A, Hz); Power (W, VA, PF); Energy Wh, Load Hrs. & ON time (non resettable)

Optional - Programmable relay output (upto 2) for any threshold of V, A, Hz, W, VA, PF, Wh, Phase missing. Programmable tripping time up to 180 sec. with Hysteresis of 1%

Displays basic (VLL, VLN, A, Hz); Power (W, VA, PF) & Energy Wh

μ G⁺ 5110

Single Row Display - 96x48x45mm

FLEXI PACK

LG⁺ 3399

3 Row Display - 96x96x50mm

- Displays more than 15 parameters
- 3 row LED display with 6 digits each
- kWh and user selectable parameters from **Basic** (VLL, VLN, A, Hz) or **W** or **VA** or **PF** (any 2)
- **Positive energy accumulation / Reverse lock programmable**
- 'OLD' register to store the previously cleared Energy value

Note: No up-gradations and no optional features except RS 485

DUAL ENERGY

LG⁺ 3220

2 Row Display - 96x96x50mm

- Displays Watts Total and Phasewise, PF Average and Phasewise and Wh (EB and DG)

COMMON FEATURES

- 2 Row display with 6 digits each. Simultaneous display of Current and Energy for EB/DG (or) Energy of EB and DG in single page
- 'OLD' Registers to store the previously cleared Energy values
- Automatic switching of display based on input source

DUAL ENERGY

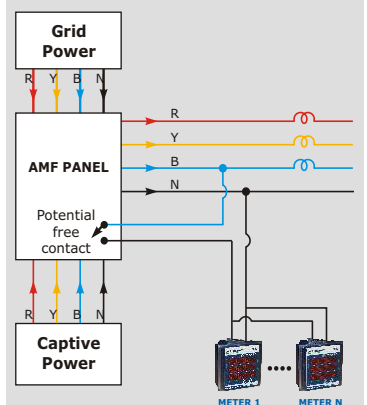
LG⁺ 5220

2 Row Display - 96x96x50mm

- Load Hours and ON Hours for both sources
- Displays basic (VLL, VLN, A, Hz), W Total, PF Average /Phasewise and Wh
- Separate Programmable relay tripping for EB & DG

Optional - Programmable relay output (upto 2) for any threshold V, A, Hz, W, PF, Wh, Phase missing. Programmable tripping time up to 180 sec. with Hysteresis of 1%

TYPICAL CONNECTION SCHEME for Dual Energy Meter



Require only 240V AC as AMF input

ENERGY PACK

LG+ 3100



Single Row Display - 96x96x50mm

- Displays more than 10 parameters
- **Watts & VA Total and Phasewise, PF Average and Phasewise + Wh**
- Positive energy accumulation / Reverse lock programmable
- 'OLD' register to store the previously cleared energy value

Optional - Programmable relay output for any threshold W, VA, PF, Wh, Phase missing. Programmable tripping time up to 180 sec. with Hysteresis of 1%

µG+ 3100



Single Row Display - 96x48x45mm

ENERGY PACK

LG+ 1119/1129



Single Row Display - 96x96x50mm

- Displays programmed parameter name and value for instantaneous parameters
- Reduces complexity of stocking as this can be used for multiple measurement applications
- Cost effective multifunction meter

LG+/mG+ 1119:

Field programmable W or VA or PF or Wh (any one)
Factory conf.: Wh

LG+/mG+ 1129:

Field programmable Basic or W or VA or PF or Wh (any two)
Factory conf.: Wh, Basic

µG+ 1119/1129



Single Row Display - 96x48x45mm

Note: No up-gradations and no optional features except RS 485

SELECTION GUIDE: LITTLE GENIUS PLUS / MICRO GENIUS PLUS

MODEL NO.	BASIC				POWER			ENERGY			ACC CLASS 1.0/0.5	OPTIONAL FEATURE		
	VLL RYB	VLN RYB	AMP RYB	Hz	W RYB	PF RYB	VA RYB	Wh	Load Hrs/ ON Hrs	OLD ENERGY		RS485 /232	PULSE O/P	DIGITAL O/P
LG+ 5310	VLL	VLN	AMP	Hz	W	PF	VA	Wh	LH	OLD	✓	✓	✓	2
LG+ 3399 *	(VLL, VLN, AMP, Hz) or W or PF or VA (any 2)													
LG+ 5220	VLL	VLN	AMP	Hz	W	PF		Wh	LH & OH	OLD	✓	✓		2
LG+ 3220					W	PF		Wh		OLD	✓	✓		2
LG+ 3100					W	PF	VA	Wh		OLD	✓	✓	✓	1
LG+ 1119	W or PF or VA or Wh (any 1)													
LG+ 1129	(VLL, VLN, AMP, Hz) or W or PF or VA or Wh (any 2)													
µG+ 5110	VLL	VLN	AMP	Hz	W	PF	VA	Wh	LH	OLD	✓	✓		
µG+ 3100					W	PF	VA	Wh		OLD	✓	✓		
µG+ 1119	W or PF or VA or Wh (any 1)													
µG+ 1129	(VLL, VLN, AMP, Hz) or W or PF or VA or Wh (any 2)													

* LG+ 3399: Wh and any two parameters programmable

TECHNICAL SPECIFICATIONS

SPEC	SERIES	Little Genius / Micro Genius Plus
Accuracy		Class 1 (Default) IEC 61036, CBIP 88, Class 0.5 (Option).
Sensing/ Measurement		True RMS, 1 Sec updation 2 Quadrant Power & Energy
Input voltage		4 Voltage inputs (VR, VY, VB, VN) Programmable 110 or 415V LL Nominal Primary Programmable upto 999 kV.
Burden		0.2VA Max. per phase.
Input current		Current inputs (AR, AY, AB) 50mA - 6A (Field configurable 1A or 5A) Primary Programmable upto 99 kA.
Overload Burden		10A max continuous, 50A max for 3 Sec 0.2VA Max. per phase.
Aux-Supply (Control Power) Burden		80-300V AC, 40-70Hz 80-300 VAC/DC (for 2/3 row meters only) 48V DC Optional 4VA Max
Display Resolution		4digits for instantaneous, 6 digits for Integrated parameters, 10 mm height bright red LED display
CT PT Ratio Max		2000 MVA Programmable
Communication Baud rate Isolation		RS485 serial channel connection Industry standard Modbus RTU protocol or RS232. 1200 bps to 19200 bps. (Preferred 9600bps) 2000 volts AC isolation for 1 minute between communication and other circuits.
Weight (Approx) Unpacked Shipping		300 gms 400 gms
Operating Temperature		-10°C to +55°C (14°F to 131°F)

ECO Friendly Lead Free

18 Months Warranty

Application information

LG Plus Series has optically isolated Pulse output, which can be integrated into a process through a PLC/DCS for online Energy management (Optional and except Dual Energy models)

If the DCS/PCS has a self excited 12V or 24V, external 24V DC supply is not required

Energy Display programmable for counter or resolution based

Multiplication factor for counter based energy mode							
Full Scale kW √3 V Pri LL x A Pri / 1000	0.4 to 4.0	4.01 to 40	40.1 to 400	400.1 to 4,000	4Mega to 40 M	40 M to 400 M	400 M to 4000 M
Multiplication Factor	0.01	0.1	1.0	10	100	1000	10000
Present unit of display	kWh			MWh		GWh	

Energy Reset : 999999 kWh × Multiplication Factor

ElMeasure strives for continuous product innovation. Product specifications are therefore subject to change without notice.

Range of Products: EMS, Demand Controller, Multi-Function Meters, Load Manager, Electronic Energy Meters, Dual Energy Meter, Digital Panel Meters, Intelligent Earth Leakage Relay, Power Factor Controller, Motor Protection Systems, Power Distribution Unit, Portable Analyser, Power & Energy Transducers, RS485 to RS232/Ethernet/USB/Optic Fiber Converter, RF Modem, GSM and GPRS Modem.



ELECON MEASUREMENTS PVT LTD

A Group of **ELMEASURE INDIA PVT. LTD**

HO & Unit-I # 764, 4th Phase, 707, Yelahanka New Town, Bangalore - 106. INDIA
T : +91 80 2846 1777 / 744. F : +91 80 41272461
Customer Support: +91 80 3290 4489 E : contactblr@elmeasure.com

Unit-II COIMBATORE, INDIA E : contactcbe@elmeasure.com

Unit-III DEHRADUN, INDIA E : contactddn@elmeasure.com

USA Contact: 4601, Main Street, Lisle, IL 60532, USA

Malaysia: Seremban 70300, N.Sembilan, W.Malaysia

Note: Additional error of 0.05% when the current is below 500mA